

AVC-DA92VLT(-BK)

HD TVI / EX SDI & HD SDI / ANALOG

HD OVER COAX & UTP

Smart IR™

This camera is equipped with 30pcs of Smart IR™ feature which prevents overly exposed image due to sporadic IR brightness.

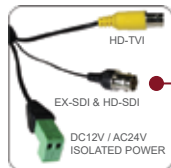


3-Axis Easy Installation Housing

The housing is made out of durable ABS plastic along with its unique housing design, and 3-Axis internal makes installation much easier than other cameras.

High Quality DC Iris Varifocal Lens

High quality DC Iris 4x Megapixel Zoom Lens (2.8-12mm) provides superior picture quality which is very important for today's high definition cameras. (Available on "VLT" models only)



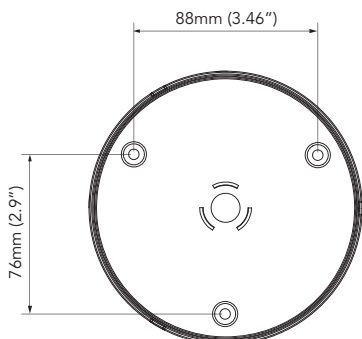
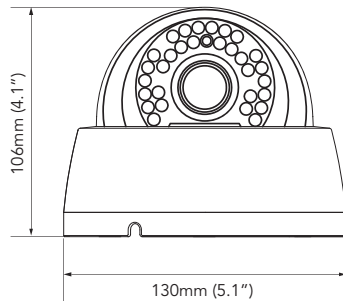
Dual HD Video Output

Both EX-SDI/HD-SDI and HD-TVI output provide Full HD @ 30fps real-time video simultaneously. This feature allows to connect up to 2 High Definition DVR's or 1 High Definition DVR and 1 Live High Definition TV/Monitor at the same time.



IDP™ Isolation Dual Power

Our patent pending IDP™ Isolation power will provide power to the camera more efficiently and safely by protecting the camera from surge, ground noise, and etc. (Available on DC12V/24VAC models only)



Unit : mm (inch)

DESCRIPTION	AVC-DA92VLT
Image Sensor	1/2.9" 2.4 Megapixel Sony Exmor CMOS
Image Resolution	1920 × 1080
Scanning System	Progressive
Video Output	HD-TVI, EX-SDI / HD-SDI, CVBS (OSD Selectable)
S/N Ratio	More than 52dB
Min. Illumination	0.02Lux (Sens-up x32)
Iris Adjustment	ALC / ELC
Lens	2.8 ~ 12mm MP DC Auto Iris Varifocal Lens (ICR)
Electronic Shutter	AUTO (1/30 ~ 1/60,000) AUTO (1/25 ~ 1/60,000) FLK
OSD Language	English / Chinese / Japanese / Korean
Backlight Compensation (BLC)	Off / HLC / BLC / WDR
Day & Night	Color / B/W / External / Auto
WDR	Off / Low / Middle / High
Auto Gain Control (AGC)	Level (0 ~ 20) Adjustment
White Balance	Auto / Auto-EXT / Preset / Manual
Privacy Masking	On / Off (Programmable 16 zones)
DNR	Off / Low / Middle / High
Smart IR (Anti-SAT)	Anti-SAT (0 ~ 20) Adjustment
LSC	On / Off
Gamma	0.45 / 0.5 / 0.55 / 0.6 / 0.65
Defog	On / Off
Digital Zoom	On / Off (x1 ~ x8.0)
Defect Correction	Live DPC / DPC Set (Dead Pixel Correction)
Sens-up	Off / x2 ~ x32
Motion Detection	4 Areas
Digital Effect	Off / V-Flip / Mirror / Rotate
RS-485	Yes, UTC (Up-the-Coax)
IR LED	30pcs (80ft.*)
Input Voltage	DC 12V / AC 24V - Dual Voltage
Power Consumption	DC IR Off: 200mA (Max.) / DC IR On: 550mA (Max.) AC IR Off: 190mA (Max.) / AC IR On: 370mA (Max.)
Operating Environment	-4°F ~ 140°F (-20°C ~ 60°C) / 10% ~ 90% Relative Humidity
Storage Environment	-4°F ~ 140°F (-20°C ~ 60°C) / 10% ~ 90% Relative Humidity

*IR distance range varies depending on the environment

AVYCON®

☎ 949-752-7606 🌐 www.avycon.com ✉ info@avycon.com

Copyright © Avycon All Rights Reserved. Design and specifications are subject to change without notice.